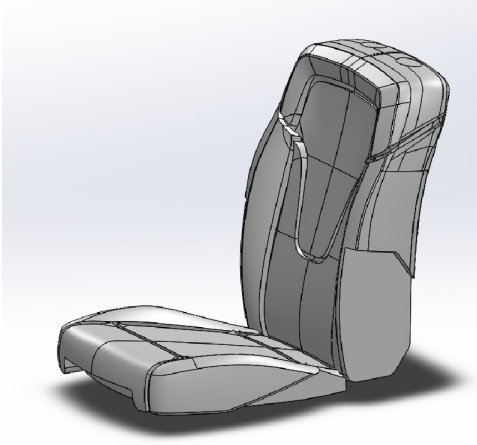


CNC Router



Code: 2014112601
Process: CNC Router
Lead time: 5 Day
Car Seat Sample Foam 600x900
COST: 15,000bahts/set
Note: CAM, Router, Design, Cut
